
Contents

Updates	1
Maintenance items	1
October 2014 fix	1
June 2014 fix	1
April 2014 fix	1
Checking the firmware version	1
Firmware update procedures	1

Updates

Always use the most recent firmware for this device. Please visit the TEAC web site (<http://audio.teac.com/support/downloads/>) to check for the latest firmware.

Maintenance items

October 2014 fix

Fix in firmware version 1.21

- The noise level has been improved during silence with USB digital connections.
- When the input switch was changed, the input source was not correctly recognized on rare occasions. This has been fixed.

June 2014 fix

Fix in firmware version 1.11

- More Android devices that support AOA2.0 can now be connected.
If sound is not output sometimes, for example, try updating to the latest firmware.

April 2014 fix

Fix in firmware version 1.10

- Connections with some Android devices would fail. This has been fixed.
However, this does not guarantee connection with all Android devices.
· Android devices must support AOA2.0 for Android 4.1 and later.
-

Checking the firmware version

You can check the firmware version of this unit using an iOS device (including iPhone, iPad and iPod touch). Follow these procedures to check the firmware version.

- You do not need to check the version before updating the firmware.

1 Connect the iOS device to this unit.

2 On the iOS device, open the Settings app. Then, open the General, About and finally HA-P50 screens to see information about the HA-P50.

The firmware version will be shown.

Firmware update procedures

Download the file

Download the latest version of the firmware from the TEAC website (<http://audio.teac.com/support/downloads/>).

CAUTION

- Use a computer that runs one of the following Windows operating systems to update the firmware.

Windows Vista (32-bit, 64-bit)
Windows 7 (32-bit, 64-bit)
Windows 8 (32-bit, 64-bit)
Windows 8.1 (32-bit, 64-bit)

- The firmware cannot be updated using a Mac computer. Please use a Windows computer.
- Make sure that the built-in battery is charged before starting.

- Take sufficient care to prevent the unit from losing power during the firmware update. If the unit should lose power during a firmware update, restarting it might not be possible or it could otherwise malfunction.

1 Copy the firmware for this unit to any folder and decompress it.

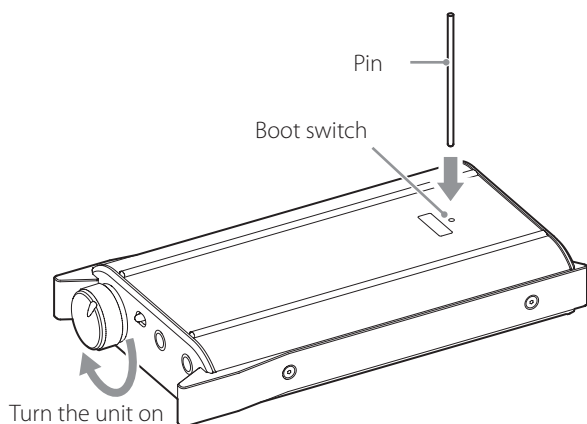
After decompressing it, confirm that it contains files named, "HA_P50_Updater_Verxxx.exe" and "HA_P50_Verxxx_Main.hex". (When decompressing the folder, select "Extract All" to decompress it completely.)

- "xxx" is the firmware version.
- Do not change the file name.

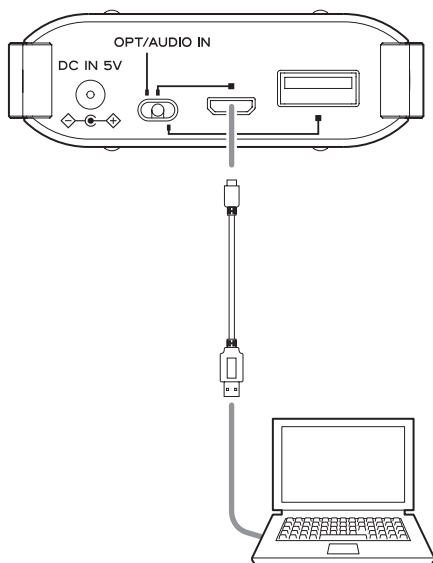
2 Turn the unit off. Then, while pressing the boot switch on the bottom of the unit, turn it on.

The POWER indicator (blue) will blink.

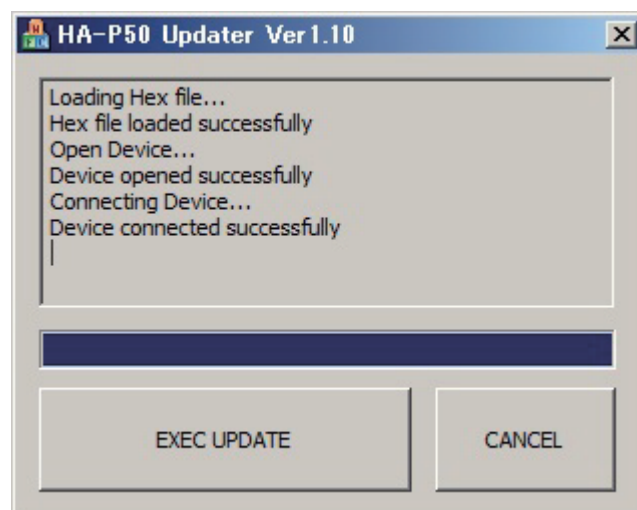
- Use a narrow pin (such as an extended paper clip) to press the boot switch.



3 Use a USB cable to connect the unit's USB micro-B port to the computer.



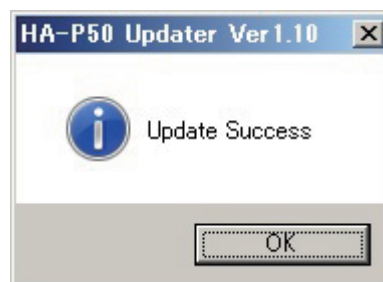
4 Launch HA_P50_Updater_Verxxx.exe.



- The image above is for firmware version 1.10.

5 Click the EXEC UPDATE button to start the update.

The following dialog box will appear when the update completes.



6 Turn the unit off.

7 Turn the unit on again.

If the POWER indicator (blue) lights without blinking, the update has completed properly.

If the POWER indicator (blue) does not light, try updating it again, starting with step 2 of these procedures.

If you are unable to complete the update properly even after trying several times, please contact the retailer where you purchased the unit.